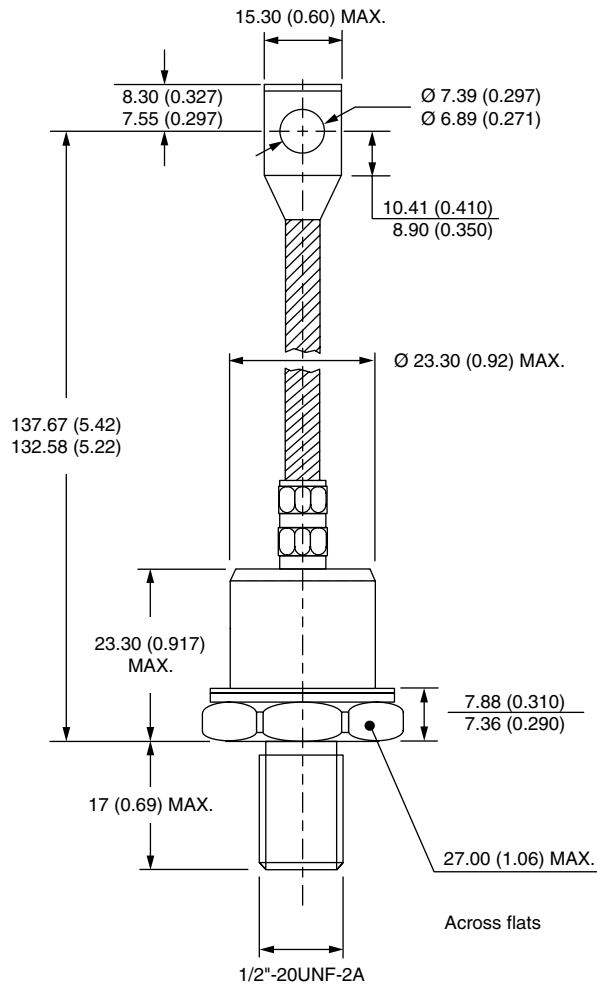




DO-205AC (DO-30), DO-205AA (DO-8) and B-42 for 45L(R), 150K(R) and 150KS(R) Series

DIMENSIONS FOR 45L(R) SERIES - DO-205AC (DO-30) in millimeters (inches)

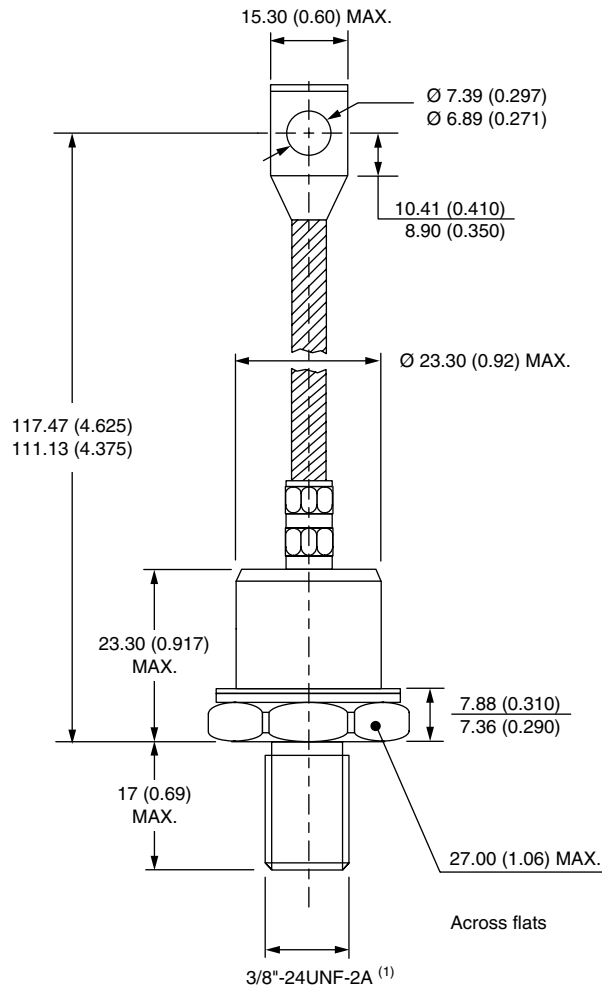


Outline Dimensions



Vishay High Power Products DO-205AC (DO-30), DO-205AA (DO-8) and B-42 for 45L(R), 150K(R) and 150KS(R) Series

DIMENSIONS FOR 150K(R) SERIES - DO-205AA (DO-8) in millimeters (inches)



Note

⁽¹⁾ For metric device M12 x 1.75 contact factory



Outline Dimensions

DO-205AC (DO-30), DO-205AA (DO-8) and B-42 Vishay High Power Products
for 45L(R), 150K(R) and 150KS(R) Series

DIMENSIONS FOR 150KS(R) SERIES - B-42 in millimeters (inches)

